

4

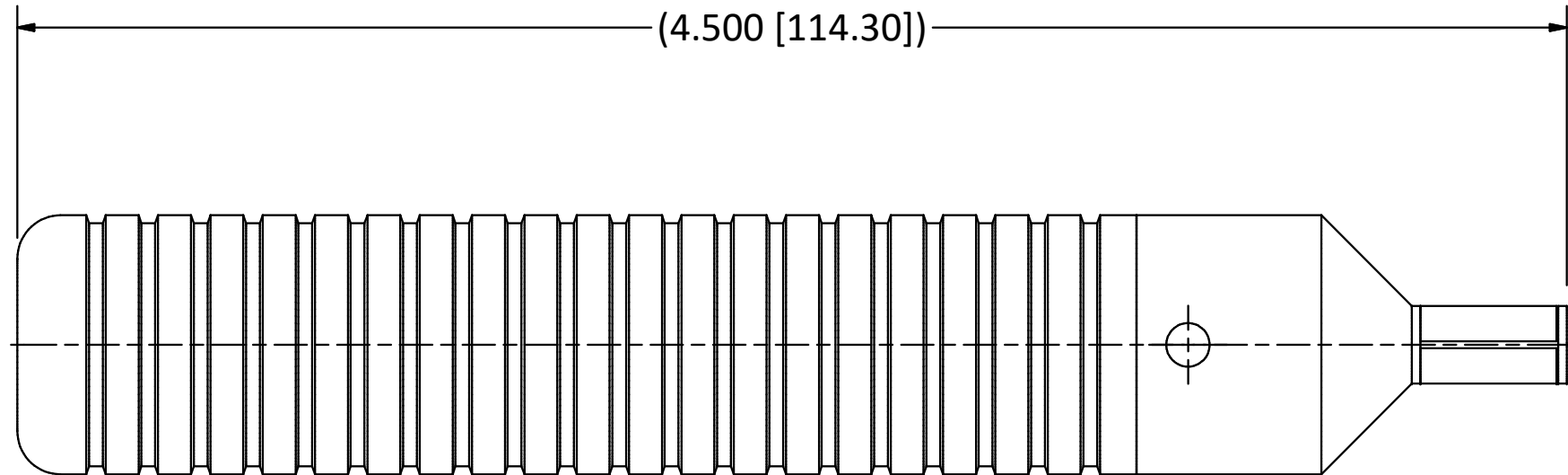
3

2

1

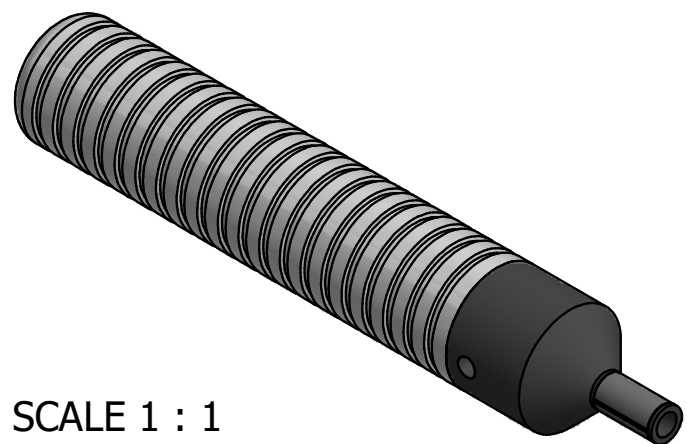
B

B



NOTES:

1. INSERTION TOOL FOR STABILIZING RING P/N 15-03012.



SCALE 1 : 1

C	ECN 3135	9/26/95	HN
B	ECN 2435	3/30/94	HN
A	RELEASE	2/24/94	HN
REV.	DESCRIPTION	DATE	BY

This drawing embodies a proprietary design of The Phoenix Company of Chicago, Inc., Naugatuck, CT 06770. All design, manufacturing, reproduction, use, sale, and other rights regarding the same are expressly reserved. The information in this drawing may be covered completely or in part by patents and/or patents pending.

WARNING - THIS DOCUMENT CONTAINS TECHNICAL DATA WHOSE EXPORT IS RESTRICTED BY THE ARMS EXPORT CONTROL ACT (TITLE 22, U.S.C., SEC 2751, ET. SEQ.) OR THE EXPORT ADMINISTRATION ACT OF 1979, AS AMENDED, TITLE 50, U.S.C., APP 2401 ET SEQ. VIOLATIONS OF THESE EXPORT LAWS ARE SUBJECT TO SEVERE CRIMINAL PENALTIES. DISSEMINATE IN ACCORDANCE WITH PROVISIONS OF DOD DIRECTIVE 5230.25.

Filename: ver2\Autodesk Inventor Data Base\Tooling\T0627-CU.idw

UNLESS OTHERWISE SPECIFIED, PHOENIX WORKMANSHIP STANDARDS APPLY DIMENSIONS IN INCHES OR (METRIC)	APPROVALS	DATE
	DRAWN EW	2/24/1994
	CHECKED HN	2/24/1994
	QA	
	MFG	
ENGINEER EW	2/24/1994	
APPROVED HN	2/24/1994	

DO NOT SCALE PRINTS

TOLERANCES ARE:
FRACTIONS: ± 1/64
DECIMALS: .XX ± .01
.XXX ± .003
ANGLES: ± 1/2'

32√

The PHOENIX Company of Chicago, Inc.
22 GREAT HILL RD., NAUGATUCK, CT 06770
WWW.PHOENIXOFCHICAGO.COM
PHONE: (800) 323-9562 FAX:(630) 206-1801

TITLE
**INSERTION TOOL FOR STABILIZING RING
15-03012**

SIZE B	FSCM 58167	DWG NO T0627	REV C	PLATING OPT.
SCALE 2:1	F.S.R. #	SHEET 1	OF 1	

4

3

2

1

A

A