

4

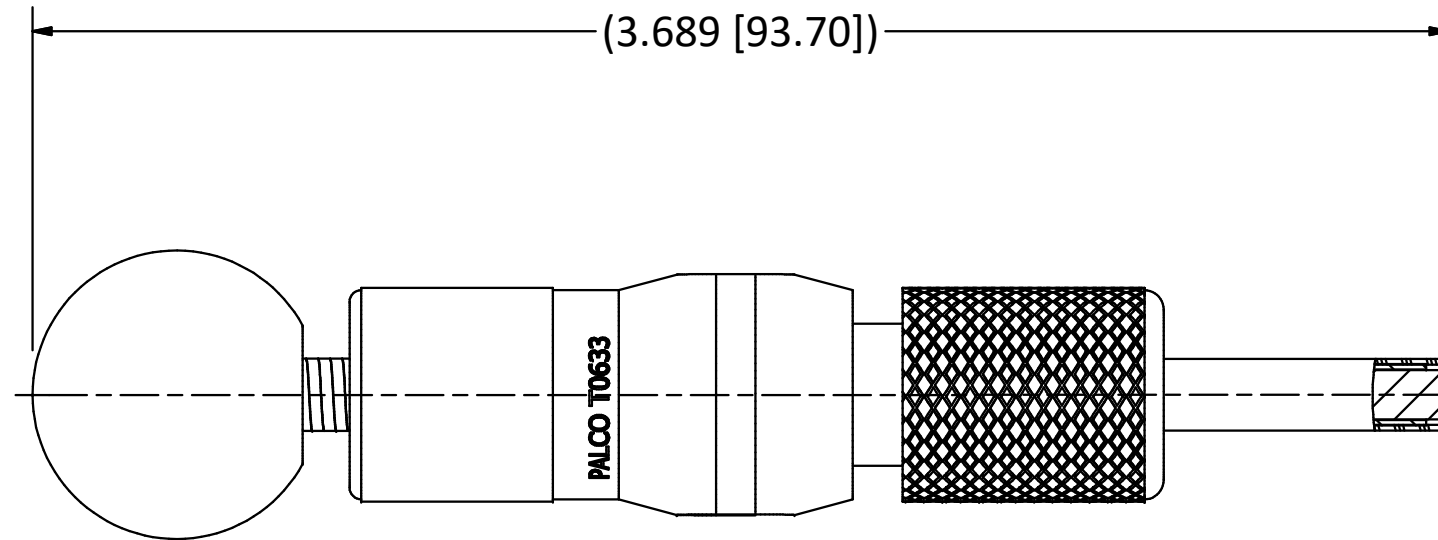
3

2

1

B

B

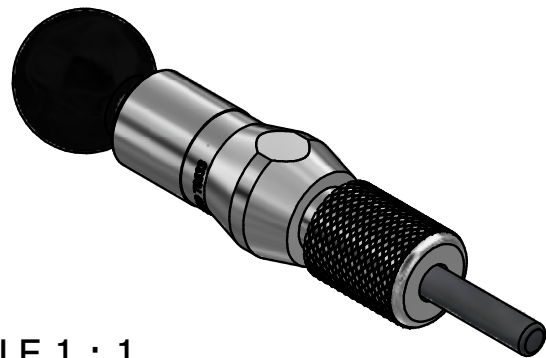


NOTES:

1. FOR REMOVAL OF PKZ® CONTACTS FROM BENDIX LRM HOUSINGS.

A

A



SCALE 1 : 1

4

3

2

1

<table border="1"> <tr> <td>E</td> <td>ECN 13714</td> <td>3/4/20</td> <td>JEM</td> </tr> <tr> <td>D</td> <td>ECN 10892</td> <td>3/9/11</td> <td>JEM</td> </tr> <tr> <td>REV.</td> <td>DESCRIPTION</td> <td>DATE</td> <td>BY</td> </tr> </table>				E	ECN 13714	3/4/20	JEM	D	ECN 10892	3/9/11	JEM	REV.	DESCRIPTION	DATE	BY	<p>This drawing embodies a proprietary design of The Phoenix Company of Chicago, Inc., Naugatuck, CT 06770. All design, manufacturing, reproduction, use, sale, and other rights regarding the same are expressly reserved. The information in this drawing may be covered completely or in part by patents and/or patents pending.</p>		<p>WARNING - THIS DOCUMENT CONTAINS TECHNICAL DATA WHOSE EXPORT IS RESTRICTED BY THE ARMS EXPORT CONTROL ACT (TITLE 22, U.S.C., SEC 2751, ET. SEQ.) OR THE EXPORT ADMINISTRATION ACT OF 1979, AS AMENDED, TITLE 50, U.S.C., APP 2401 ET SEQ. VIOLATIONS OF THESE EXPORT LAWS ARE SUBJECT TO SEVERE CRIMINAL PENALTIES. DISSEMINATE IN ACCORDANCE WITH PROVISIONS OF DOD DIRECTIVE 5230.25.</p>		<p>Filename: \\Autodesk Inventor Data Base\Assemblies\78 Series\78-1080-0670-CU-Layout for C Sized Drawing.idw</p>		<p>The PHOENIX Company of Chicago, Inc. 22 GREAT HILL RD., NAUGATUCK, CT 06770 WWW.PHOENIXOFCHICAGO.COM PHONE: (800) 323-9562 FAX:(630) 206-1801</p>		
E	ECN 13714	3/4/20	JEM																					
D	ECN 10892	3/9/11	JEM																					
REV.	DESCRIPTION	DATE	BY																					
				<p>UNLESS OTHERWISE SPECIFIED, PHOENIX WORKMANSHIP STANDARDS APPLY DIMENSIONS IN INCHES OR (METRIC)</p>		<table border="1"> <tr> <th>APPROVALS</th> <th>DATE</th> </tr> <tr> <td>DRAWN KJT</td> <td>8/19/1993</td> </tr> <tr> <td>CHECKED PP</td> <td>8/19/1993</td> </tr> <tr> <td>QA</td> <td></td> </tr> <tr> <td>MFG</td> <td></td> </tr> <tr> <td>ENGINEER JSV</td> <td>8/19/1993</td> </tr> <tr> <td>APPROVED PP</td> <td>8/19/1993</td> </tr> </table>		APPROVALS	DATE	DRAWN KJT	8/19/1993	CHECKED PP	8/19/1993	QA		MFG		ENGINEER JSV	8/19/1993	APPROVED PP	8/19/1993	<p>TITLE EXTRACTION TOOL FOR SIZE 12 PKZ® CONTACTS</p>		
APPROVALS	DATE																							
DRAWN KJT	8/19/1993																							
CHECKED PP	8/19/1993																							
QA																								
MFG																								
ENGINEER JSV	8/19/1993																							
APPROVED PP	8/19/1993																							
				<p>DO NOT SCALE PRINTS</p>		<p>TOLERANCES ARE: FRACTIONS: ± 1/64 DECIMALS: .XX ± .01 .XXX ± .003 ANGLES: ± 1/2'</p>		<table border="1"> <tr> <td>SIZE B</td> <td>FSCM 58167</td> <td>DWG NO T0633</td> <td>REV E</td> <td>PLATING OPT.</td> </tr> </table>			SIZE B	FSCM 58167	DWG NO T0633	REV E	PLATING OPT.									
SIZE B	FSCM 58167	DWG NO T0633	REV E	PLATING OPT.																				
				<p>32√</p>		<p>SCALE 2 : 1</p>		<p>F.S.R. # SHEET 1 OF 1</p>																