

4

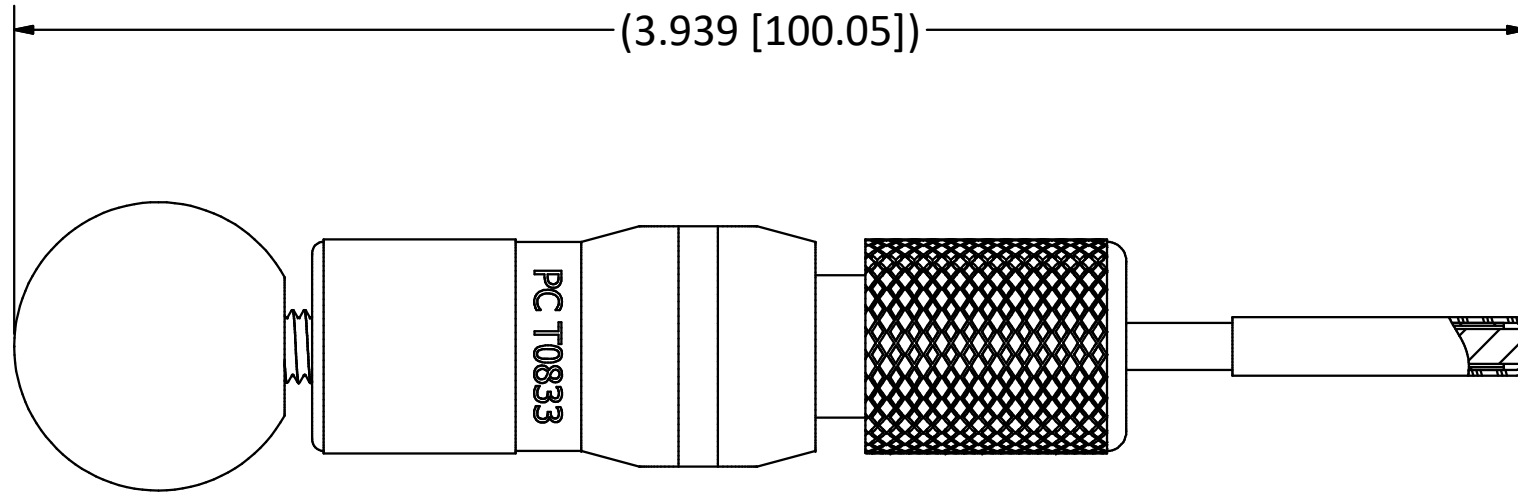
3

2

1

B

B

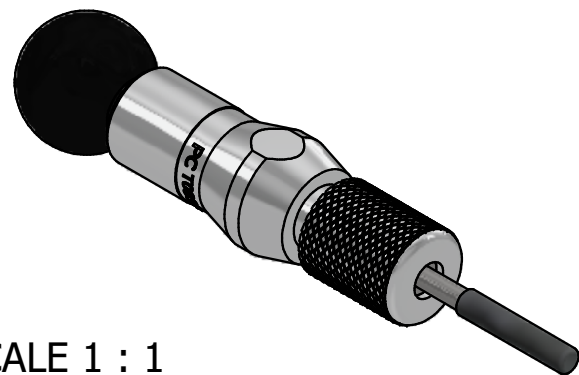


NOTES:

1. FOR REMOVAL OF PKZ® CONTACTS FROM D-SUBMINIATURE VHD HOUSINGS.

A

A



SCALE 1 : 1

4

3

2

1

				<p>THE INFORMATION AND DESIGNS DISCLOSED IN THIS DOCUMENT ARE CONFIDENTIAL AND/OR PROPRIETARY TO THE PHOENIX COMPANY OF CHICAGO INC. AND MAY NOT BE USED FOR MANUFACTURING, REPRODUCED, DISCLOSED TO OTHERS OR FOR ANY OTHER PURPOSE WITHOUT THE EXPRESS WRITTEN CONSENT OF THE PHOENIX COMPANY OF CHICAGO INC.</p>	<p>WARNING - THIS DOCUMENT CONTAINS TECHNICAL DATA WHOSE EXPORT IS RESTRICTED BY THE ARMS EXPORT CONTROL ACT (TITLE 22, U.S.C., SEC 2751, ET. SEQ.) OR THE EXPORT ADMINISTRATION ACT OF 1979, AS AMENDED, TITLE 50, U.S.C., APP 2401 ET SEQ. VIOLATIONS OF THESE EXPORT LAWS ARE SUBJECT TO SEVERE CRIMINAL PENALTIES. DISSEMINATE IN ACCORDANCE WITH PROVISIONS OF DOD DIRECTIVE 5230.25.</p>	<p>Filename: \\Autodesk Inventor Data Base\Assemblies\78 Series\78-1080-0670-CU-Layout for C Sized Drawing.idw</p>		<p>The PHOENIX Company of Chicago, Inc. 22 GREAT HILL RD., NAUGATUCK, CT 06770 WWW.PHOENIXOFCHICAGO.COM PHONE: (800) 323-9562 FAX:(630) 206-1801</p>																								
<table border="1"> <tr> <th>REV.</th> <th>DESCRIPTION</th> <th>DATE</th> <th>BY</th> </tr> <tr> <td>B</td> <td>ECN 12191</td> <td>7/28/15</td> <td>RMB</td> </tr> <tr> <td>A</td> <td>REL. ECN 11580</td> <td>2/11/13</td> <td>JEM</td> </tr> </table>		REV.	DESCRIPTION			DATE	BY	B	ECN 12191	7/28/15	RMB	A	REL. ECN 11580	2/11/13	JEM	<p>UNLESS OTHERWISE SPECIFIED, PHOENIX WORKMANSHIP STANDARDS APPLY DIMENSIONS IN INCHES OR (METRIC)</p> <p>DO NOT SCALE PRINTS</p> <p>TOLERANCES ARE: FRACTIONS: ± 1/64 DECIMALS: .XX ± .01 .XXX ± .003 ANGLES: ± 1/2°</p>		<table border="1"> <thead> <tr> <th>APPROVALS</th> <th>DATE</th> </tr> </thead> <tbody> <tr> <td>DRAWN JEM</td> <td>2/11/13</td> </tr> <tr> <td>CHECKED RMB</td> <td>7/28/15</td> </tr> <tr> <td>QA</td> <td></td> </tr> <tr> <td>MFG</td> <td></td> </tr> <tr> <td>ENGINEER JEM</td> <td>2/11/13</td> </tr> <tr> <td>APPROVED RMB</td> <td>7/28/15</td> </tr> </tbody> </table>	APPROVALS	DATE	DRAWN JEM	2/11/13	CHECKED RMB	7/28/15	QA		MFG		ENGINEER JEM	2/11/13	APPROVED RMB	7/28/15
REV.	DESCRIPTION	DATE	BY																													
B	ECN 12191	7/28/15	RMB																													
A	REL. ECN 11580	2/11/13	JEM																													
APPROVALS	DATE																															
DRAWN JEM	2/11/13																															
CHECKED RMB	7/28/15																															
QA																																
MFG																																
ENGINEER JEM	2/11/13																															
APPROVED RMB	7/28/15																															
		<table border="1"> <tr> <th>SIZE</th> <th>FSCM</th> <th>DWG NO</th> <th>REV</th> <th>PLATING OPT.</th> </tr> <tr> <td>B</td> <td>58167</td> <td>T0833</td> <td>B</td> <td></td> </tr> </table>	SIZE	FSCM	DWG NO	REV	PLATING OPT.	B	58167	T0833	B		<p>SCALE</p>		<p>F.S.R. #</p>		<p>SHEET 1 OF 1</p>															
SIZE	FSCM	DWG NO	REV	PLATING OPT.																												
B	58167	T0833	B																													

REV.	DESCRIPTION	DATE	BY
B	ECN 12191	7/28/15	RMB
A	REL. ECN 11580	2/11/13	JEM

THE INFORMATION AND DESIGNS DISCLOSED IN THIS DOCUMENT ARE CONFIDENTIAL AND/OR PROPRIETARY TO THE PHOENIX COMPANY OF CHICAGO INC. AND MAY NOT BE USED FOR MANUFACTURING, REPRODUCED, DISCLOSED TO OTHERS OR FOR ANY OTHER PURPOSE WITHOUT THE EXPRESS WRITTEN CONSENT OF THE PHOENIX COMPANY OF CHICAGO INC.

WARNING - THIS DOCUMENT CONTAINS TECHNICAL DATA WHOSE EXPORT IS RESTRICTED BY THE ARMS EXPORT CONTROL ACT (TITLE 22, U.S.C., SEC 2751, ET. SEQ.) OR THE EXPORT ADMINISTRATION ACT OF 1979, AS AMENDED, TITLE 50, U.S.C., APP 2401 ET SEQ. VIOLATIONS OF THESE EXPORT LAWS ARE SUBJECT TO SEVERE CRIMINAL PENALTIES. DISSEMINATE IN ACCORDANCE WITH PROVISIONS OF DOD DIRECTIVE 5230.25.

Filename: \\Autodesk Inventor Data Base\Assemblies\78 Series\78-1080-0670-CU-Layout for C Sized Drawing.idw	
UNLESS OTHERWISE SPECIFIED, PHOENIX WORKMANSHIP STANDARDS APPLY DIMENSIONS IN INCHES OR (METRIC)	APPROVALS
DO NOT SCALE PRINTS	DATE
TOLERANCES ARE: FRACTIONS: ± 1/64 DECIMALS: .XX ± .01 .XXX ± .003 ANGLES: ± 1/2°	DRAWN JEM
	CHECKED RMB
	QA
	MFG
	ENGINEER JEM
	APPROVED RMB
	DATE 2/11/13
	7/28/15

<p>The PHOENIX Company of Chicago, Inc. 22 GREAT HILL RD., NAUGATUCK, CT 06770 WWW.PHOENIXOFCHICAGO.COM PHONE: (800) 323-9562 FAX:(630) 206-1801</p>				
<p>TITLE EXTRACTION TOOL FOR SIZE 16 PKZ® CONTACTS</p>				
SIZE B	FSCM 58167	DWG NO T0833	REV B	PLATING OPT.
SCALE		F.S.R. #	SHEET 1 OF 1	